

OSA 5030 PPS Distribution Unit

A compact, cost efficient, high quality synchronization distribution solution for OEM and integrators

Introduction

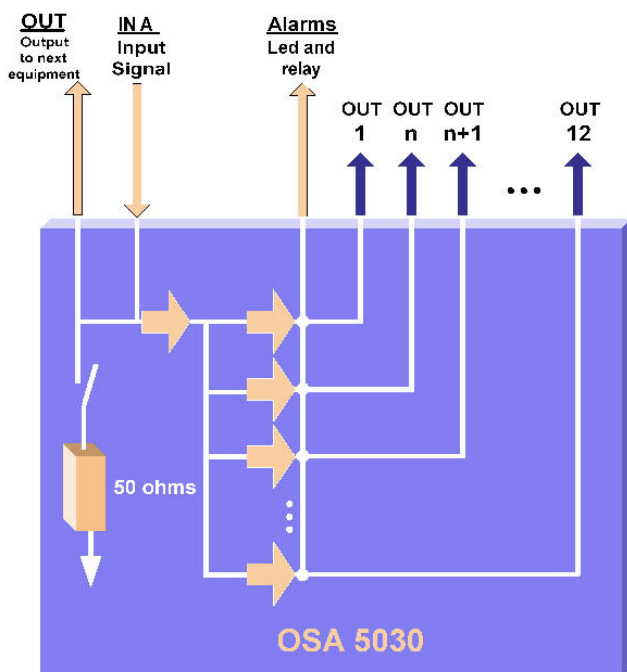
A compact, cost efficient, high quality PPS distribution solution for OEM and integrators

The OSA 5030 is specifically designed for applications where the square wave is the only acceptable type of signal.

The OSA 5030 PPS Distribution Unit is very easy to install. The unit does not require any type of configuration as the output signals are direct image of input signal. The rack-mount unit is easily installed and smoothly integrates with existing equipment.

Typical applications

- Time and frequency distribution unit
- Any system requesting square wave distribution



Highlights

- Reliable, low cost, compact
- Input frequency 1PPS to 50 MHz maximum
- 12 outputs
- BNC connectors for all inputs and outputs
- AC power supply (90-264 Vac)
- Several OSA 5030 can be placed in cascade to extend total output capacity

OSA 5030 PPS Distribution Unit

A compact, cost efficient, high quality synchronization distribution solution
for OEM and integrators

Typical Characteristics

Power supply:

- AC Power supply: 90 to 264 VAC (47 - 63 Hz)
- Consumption: 10 W

Configuration and monitoring:

- Configuration: None
- Monitoring: Alarm contact on Sub-D 9p connector (normally open or closed)

Input specifications:

- Connector: BNC female
- Frequency range: 1PPS to 50 MHz
- Impedance: 50 ohms or not loaded (Selection by switch)
- Input level: Low level : -0.5 to 1.5V
High level : 3.5 to 10V
- Input qualification: Loss of signal-Level detection

Output specifications:

- Connector: BNC female
- Frequency range: 1PPS to 50 MHz (as input signal)
- Gain: Unit
- Output level: Low level : 0 to 0.4V
High level : 4.5 to 5.1V
- Output Impedance: 50Ω
- Rise time: < 2ns

Environmental characteristics:

- Operating temperature: 0 to 55°C
- Storage temperature: -10° to +60°C
- Humidity: 0 to 95% non condensing
- MTBF: >900'000 hours

EMC, ESD & SAFETY - CE Mark

- EMC, ESD: Certified to EN55022: 2005 and EN55024: 2005
Susceptibility to IEC 801 parts 2, 3, 4, 5 and 6
- Safety: Conformance to EN60950: 2001

Mechanical:

- Mounting: 19" rack mount
- Size: 43 x 484 x 310 mm (1U x 19" x 12")
- Weight: ~3kg (7 lbs) excluding packing
- Connector access: Rear

Oscilloquartz SA reserves the right to change all specifications contained herein at any time without prior notice.

A COMPANY OF THE  SWATCH GROUP